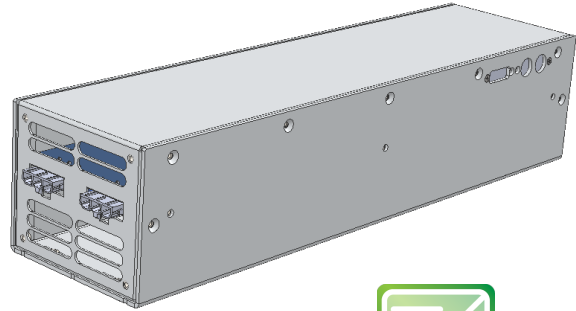



# 10kWp Solar Input Module

## Features

- Up to 10kWp PV systems.
- Triple 10A Input. (1 dynamic MPPT)
- 99% Efficiency.
- Direct PV to EV DC Charging.
- PV Fuses & Surge protection inside.  
(Only external DC Isolation switch needed)

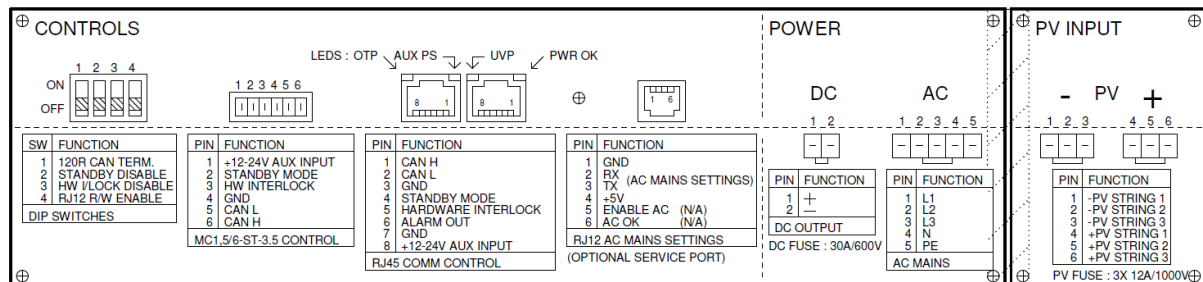


## Key Specifications

Model		PV750V30A
Input (Solar)	Voltage Range (Vstart - Voc max)	275 - 720Vdc
	MPPT Voltage Range	300 - 650Vdc
	Power Range	3 - 10kWp (72 Cells 10 - 16 Solar panels in series per Input.)
	Number of MPP Trackers	1x Dynamic MPPT
	Number of Inputs	3x 10A max.
	Efficiency (max.)	99% (System efficiency : PV → Grid : 97% / PV → EV : 96%)
Output (DC Bus)	Voltage	700 - 760Vdc
	Current Range	0 - 14A
Protection	Input OCP	3x 12A / 1000V Midget Fuse
	Output OVP	800V
	Over Temperature	80°C at main Heatsink. Output Power derating at Tamb. >50 °C
	Isolation Monitor Device	Disconnect @ <800kΩ (in combination with V2G Charger Module)
General	Protection Class (Isolation)	Class 1 ⚡ Transformer less design
	Cooling	Fan cooled.
	IP protection class	IP20
	Working (Storage) Temp. & Humi.	-20 .. 50°C (-20 .. 70°C) / 20 .. 90% Non Condensing
	Dimension & Weight	Approx. 500x140x110mm / 5kg (excl. fans)
	Lifetime (MTBF)	>100.000 hours @ 25 °C (Designed to meet <0.1% / Year)
Safety & EMC(4) 	Safety (LVD)*	low-voltage directive 2006/95/EC (EN60950)
	EMC*	EMC directive 2004/108/EC
	Solar connectivity*	IEC 61727:2004, IEC 62109-2:2011

1. All parameters NOT specially mentioned are measured at nominal input, rated load and 20°C ambient temperature. \*) Pending
2. Ripple & noise are measured at 20MHz bandwidth by using a standard probe.
3. Tolerance : includes set up tolerance, line regulation and load regulation.
4. The Charger Module is considered a component which will be installed into a final equipment. The final equipment must be re-confirmed that it still meets EMC directives.
5. Derating may be needed under low input voltage and higher ambient temperature. Please check the derating curve for more details.
6. © Copyright, All rights reserved. Specifications are subjected to change without notice.

## Connections (model V2G500V30A)



AC Connector : Molex Mini-Fit Sr 5 Way Housing: 42816-0512 / Crimp Terminal : 42815-0012 (12-10 AWG/4-6mm<sup>2</sup>)  
 DC Connector : Molex Mini-Fit Sr 2 Way Housing: 42816-0212 / Crimp Terminal : 42815-0012 (12-10 AWG/4-6mm<sup>2</sup>)  
 Solar Connector : Molex Mini-Fit Sr 3 Way Housing: 42816-0312 / Crimp Terminal : 42815-0012 (12-10 AWG/4-6mm<sup>2</sup>)  
 Control Interface : RJ45 Ethernet cable or Phoenix Contact MC1.5/6-ST-3.5 connector. (RJ12 connector for factory settings only)